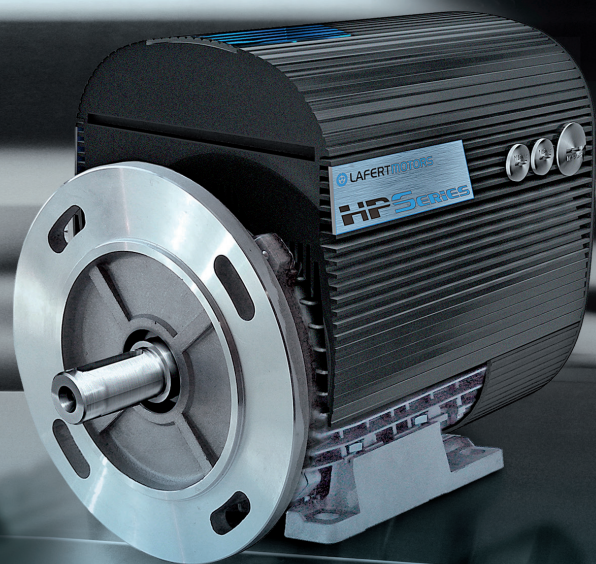


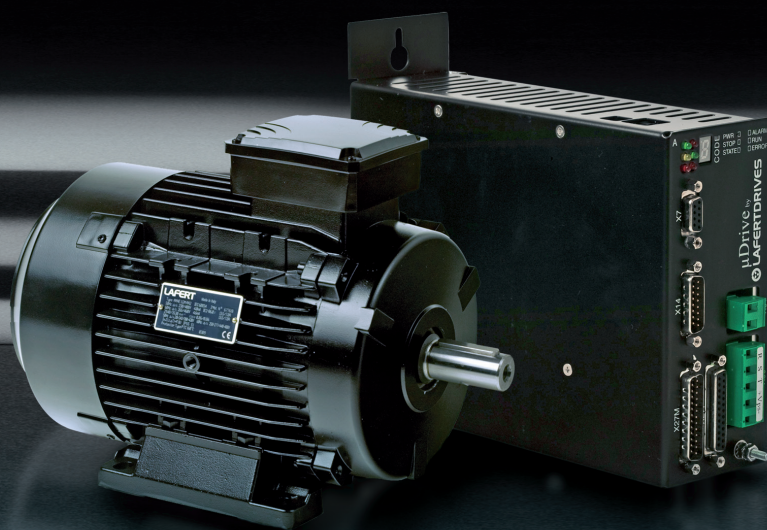
# LAFERT

HIGH PERFORMANCE MOTORS  
SIGNIFICANTLY REDUCE  
ENERGY COSTS,  
SAVE WEIGHT AND SPACE

TWO VERSIONS AVAILABLE:

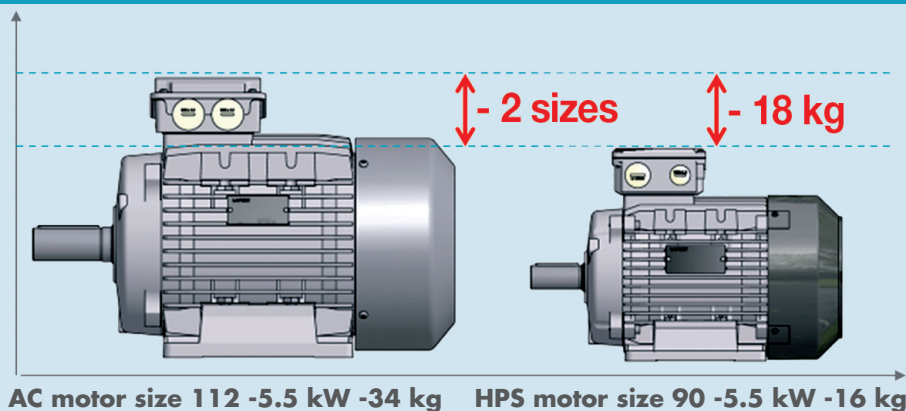


HPI INTEGRAL DRIVE



HPS STAND ALONE SEPARATE DRIVE

## REDUCTION OF WEIGHT AND DIMENSIONS



Lafert have merged the permanent magnet motor with the AC induction motor to produce a package that saves weight and space, can be run on most standard drives and is IE4 compliant

- IE4 compliant and high efficiencies across the speed range
- Space and weight saving of around 50%
- Sensorless motor control that can be driven by most standard drives
- HPS version available from stock

